

DIGITAL AUDIO AND VIDEO DOOR ENTRY SYSTEMS DIGIBUS

AUDIO AND VIDEO DOOR ENTRY SYSTEMS
DIGIBUS

67 - 93

EXAMPLES OF WIRING DIAGRAMS
DIGIBUS

94 - 96



ELVOX[®]
Communicating in style

ELVOX proposes the electronic system with DIGIBUS digital call for large scale audio and video door entry systems.

DIGIBUS is a digital system with 8-digit coding that makes it possible to create large-size complex installations using a limited number of wires.

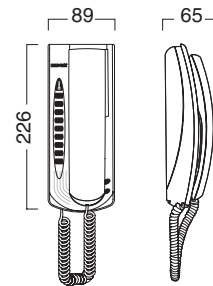
Typically of ELVOX, high performance and simplified installation are combined with elegant styling that enhances the aesthetic impact of the systems.

Petrarca series interphones

Specifications shared by models 6204 e 6201

Colours:	white with black push-buttons (standard colour, e.g. type 6204), white with white push-buttons (./1, e.g. 6204/1), titanium grey (./37, e.g. type 6204/37)
Material:	copolymer
Installation:	surface wall-mounted
Equipment:	2 screws for 3-module vertical back-box
Dimensions (WxHxD):	89x226x65mm
Desk-top version:	use conversion kits type 6140, 6A40

TYPE	6204	6201
Model	Model with 4 and 8 digit encoding/decoding	Model without encoding/decoding
Applications	DigiBus series audio and video door entry systems	DigiBus series audio and video door entry systems with digital distributor 949B Audio door entry system, 1+n wire with and without conversation privacy Video entry system switchboard without coaxial cable with and without conversation privacy Systems with audio entry system switchboards type 142A, 162A
Call System	Sound System (with negative polarisation)	
Number of wires for standard connection	4 common wires	2 common wires
Push-buttons	1 for door lock release and porter switchboard call	
Ringtone	Loudspeaker for Sound System call	
Compatible power supplies, switching module	type 6941, 6942, 6948	type 949B, 6941, 6942, 6948
Supply voltage	13.5Vcc	-
Optional accessories	type 6C59 (pair of normally open push-buttons with terminal block for auxiliary functions) type 6152 (pack of eight additional normally open push-buttons) type 6157 (additional normally closed push-button) type 6153 switching module for ringtone adjustment, ringtone disabling (with LED) and door/gate open LED type 6158 alarm card type 615T 8 transparent push-buttons	type 6152 (pack of eight additional normally open push-buttons) type 6157 (additional normally closed push-button) type 6153 switching module for ringtone adjustment, ringtone exclusion ("PRIVACY") (with LED) and door/gate open LED
Notes	The interphone is designed for connection to speech unit type 930D, which can provide auxiliary analogue door station call function, additional "call divert" function with type 6153 and 8 auxiliary functions (F1 to F8) with type 6159. The interphone can be used in conjunction with monitors type 6000 and 6003	The interphone is designed for connection of a simple auxiliary door station. Auxiliary functions require additional connections to a digital distributor. The interphone can be used in conjunction with monitors type 6000 and 6003



White with black push-buttons
type 6201
type 6204

White with white push-buttons
type 6201/1
type 6204/1



Titanium grey
type 6201/37
type 6204/37

Accessories for Petrarca interphones

**Type: 6152**

Description: pack of eight single additional push-buttons (normally open)

Installation: for interphone 6201, 6204

Notes: rating 24V A.C. 0.5A. resistor

To be used for auxiliary functions or additional functions F1 and F2 with interphone type 6201 or when specified in wiring diagrams

**Type: 6157**

Description: additional single push-button (normally closed)

Installation: for interphone 6201, 6204

Notes: rating 24V A.C. 0.5A resistor

To be used for auxiliary functions when specified in wiring diagrams

**Type: 6C59**

Description: pair of additional single push-buttons (normally open) for auxiliary functions

Installation: for interphone 6204

Notes: to be used for auxiliary functions F1, F2, F3, F4, F5, F6, F7, F8.

The push-buttons are equipped with three terminals for connection of remote external push-buttons

Type: 615T

Description: 8 transparent push- buttons

Installation: for interphones 6204

Notes: to be used with type 6158

Type: 615B

Description: strip of 8 white push-buttons

Installation: for interphones 6204,6201

**Type: 6153**

Description: 4-position switching module

Installation: for interphone 6201, 6204

Notes: 4-position selector for adjustment of ringtone volume at three different levels and ringtone disabling (mute).

Red LED for excluded call and green LED for door/gate open (all installations require an additional line for the indicators).

The following accessory makes it possible to activate the "call divert" function on interphone type 6204



type 6140

type 6A40

Type: 6140

Description: desk-top conversion kit for Petrarca interphone

Colours: white (type 6140), titanium grey (type 6140/37)

Material: copolymer

Technical notes: 2 metres of 6-core cable, fixed terminal block

Type: 6A40

Description: desk-top conversion kit for Petrarca interphone

Colours: white (type 6A40), titanium grey (type 6A40/37)

Material: copolymer

Technical notes: 2 metres of 16-core cable, socket with removable plug

Type: 6158

Description: alarm card

Installation: for interphones 6204

Notes: card for alarm and external detector control. It can send alarm signalisations to Digibus switchboards type 945B or 94CD and activate external signalisations. Supply voltage is provided by Digibus system or by optional back-up battery. Card type 6158 is to be combined to type 6153 or 615T.

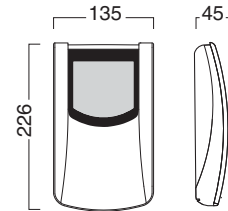
Petrarca series monitors

The Petrarca series includes monitors that can be used in conjunction with the interphones and telephones available in the same series. A monitor can be installed with an interphone or telephone in either wall-mounting (with back plate) or desk-top (with conversion kit) configuration. Wall installation does not require a flush-mounting wall box thanks to the slot on the interphone designed to accept the monitor interconnection card.

The monitors can be used for video door entry systems with Sound System call, AC call, and for DigiBus systems.

Specifications shared by types 6000, 6003

Colours:	white (standard colour, e.g. type 6000), titanium grey (./37, e.g. type 6000/37)
Material:	copolymer
Installation:	requires brackets or desk-top base
Equipment:	monitor interconnection card
Dimensions (WxHxD):	135x226x45mm
Video input signal:	1 Vpp into 75 Ohm
Supply voltage:	from 15Vcc to 20Vcc
Operating temperature:	from 0 to 40°C



TYPE	6000	6003
Model	Black and white	Colour
Applications	Video door entry system with Sound System call Video door entry system with AC call DigiBus video door entry system Video door entry system with Sound System call and without coaxial cable	Video door entry system with Sound System call Video door entry system with AC call DigiBus video door entry system
Screen	Low profile 4" B/W CRT	Low profile 4" colour LCD
Standard video	CCIR 625 lines, 50 images (to EIA standards on request)	PAL
Number of wires for standard connection	2 common wires + coaxial	
Controls	Brightness, contrast	Brightness, colour
Compatible power supplies	type 6680, 6680/V03, 6568, 6948, 6583, 6582	type 6680, 6680/V03, 6948, 6583, 6582
Compatible interphones	type 6201, 6204	
Notes	The monitor is supplied with a switch for selection of either coaxial cable or twisted pair for the video signal	



White
type 6000
type 6003



Titanium grey
type 6000/37
type 6003/37

Accessories for Petrarca monitors

**Type: 6145**

Description: back-plate for wall-mounting of monitor (6000, 6003) and interphone (6201, 6204)
Back-plate dimensions (WxH): 213x187 mm
Dimensions of interphone + monitor (WxHxD): 223x226x65 mm
Equipment supplied: 4 screws for wall mounting

**Type: 6A47**

Description: back-plate for flush-mounting of single monitor (6000, 6003)
Back-plate dimensions (WxH): 123x187 mm
Monitor dimensions (WxHxD): 135x226x45 mm
Equipment: 4 screws for wall mounting
Notes: requires 3-module back-box to contain interconnection card supplied with monitor

**Type: 6A41**

Description: desk-top conversion kit for single monitor (6000, 6003)
Colours: white (type 6A41), titanium grey (type 6A41/37)
Material: copolymer
Dimensions of monitor + desk-top base (WxHxD): 135x80x200 mm
Notes: 2 metres of 8-core cable + 1 coaxial cable, socket with removable plug

**Type: 6142**

Description: desk-top conversion kit for combined monitor (6000, 6003) and interphone (6201, 6204)
Colours: white (type 6142), titanium grey (type 6142/37)
Material: copolymer
Dimensions of monitor + interphone + desktop base (WxHxD): 223x235x200 mm
Notes: 2 metres of 12-core cable + 1 coaxial cable, socket with removable plug

**Type: 6160**

Description: additional power supply for desk-top conversion kits type 6142, 6A42 and 6143
Supply voltage: 230V 50Hz (different voltages also available: 110V A.C., 117V A.C. and 240V A.C.)
Notes: used in the event of connections of several monitors in parallel or on very long connection lines with significant voltage drops.

**Type: 6A42**

Description: desk-top conversion kit for combined monitor (6000, 6003) and interphone (6201, 6204)
Colours: white (type 6A42), titanium grey (type 6A42/37)
Material: copolymer
Dimensions of monitor + interphone + desk-top base (WxHxD): 223x235x200 mm
Notes: 2 metres of 26-core cable + 1 coaxial cable, socket with removable plug

Series 8870 interphones

The 8870 series features a simple, compact and functional design. Different versions of these interphones are available for use in the various types of ELVOX audio and video door entry systems.

The series is supplied in the standard configuration for wall-mounted application with 2 push-buttons, one for door lock release and one for auxiliary services.

Specifications shared by models 887B, 8877

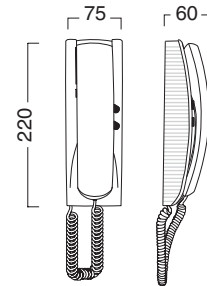
Available colours: white (standard colour, e.g. 887B), titanium grey (../37, e.g. 887B/37)

Material: copolymer

Installation: surface wall-mounted

Equipment: 2 screws for 3-module vertical back-box

Dimensions (WxHxD): 75x220x60mm



TYPE	887B	8877
Model	Model with 4 and 8 digit encoding/decoding	Model without encoding/decoding
Applications	DigiBus series audio door entry systems	DigiBus series audio door entry systems with 949B digital distributor Audio door entry system, single-wire 1+n without conversation privacy Video door entry system without coaxial cable and without conversation privacy Systems with interphone switchboards type 142A, 162A
Call System	Sound system (with negative polarisation)	
Number of wires for standard connection	4 common wires	2 common wires
Push-buttons	(1 for door lock release and porter switchboard call) 1 for auxiliary function F1	
Ringtone	Loudspeaker for Sound System call	
Power supplies, compatible switching module	type 6941, 6942, 6948	type 949B, 6941, 6942, 6948
Supply voltage	13.5V D.C.	-
Notes	Auxiliary functions require additional connections to a digital distributor.	



White
type 887B
type 8877



Titanium grey
type 887B/37
type 8877/37

Giotto 6300 series monitors

The Giotto series features two series of monitors designed for use in Digibus video door entry systems.

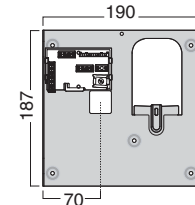
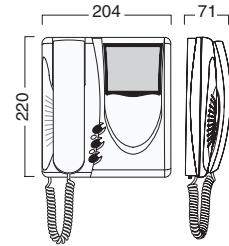
The distinctive feature of this series is the integration of the video and audio sections into a single unit.

The versions available differ in terms of type of installation and the type of system with which they are compatible.

The Giotto series includes monitors with low-profile screen for surface wall-mounting without requiring a back box, and a range of monitors with direct screen for flush-mounted installation using a 3-module back box. All the monitors in the two series are equipped with three push-buttons (1 for door lock release and 2 for auxiliary services), a 4-position switch for adjustment of ringtone volume to three levels plus disabled (mute, with LED and a door/gate open LED).

Specifications shared by types 6304, 6324, 6304/C, 6324/C

Colours:	white (standard colour, e.g. type 6304), titanium grey (./37, exx. type 6304/37)
Material:	copolymer
Installation:	supplied with bracket for surface wall-mounting.
Equipment:	back-plate (type R631) and 4 screws for wall-mounting
Dimensions (WxHxD):	204x220x70mm
Video input signal:	1Vpp into 75 Ohm
Operating temperature:	from 0 to 40°C
Desk-top version:	use conversion kits type 661A, 661B



TYPE	6304	6324	6304/C	6324/C
Model	Model with 4 and 8 digit encoding/decoding			
Applications	DigiBus series video door entry systems			
Screen	Low profile 4" B/W CRT		4" low-profile colour LCD	3.5" low-profile colour LCD
Video Standard	CCIR 625 lines, 50 images (to EIA standards on request)		PAL	
Call System	Sound System (with negative polarisation)			
Number of wires for standard connection	6 common wires and 1 coaxial (or twisted pair)			
Push-buttons	1 for door lock release/porter switchboard call, 2 for auxiliary functions F1 and F2			
Ringtone	Speaker for Sound System call			
Controls	Brightness, contrast, call volume			
Indicators	Red LED for call excluded (does not require additional connections) and green LED for door/gate open (requires additional connections)			
Compatible power supplies	type 6948, 6947			
Supply voltage	13.5V D.C. (digital) and from 15V D.C. to 20V D.C. (monitor)			
Notes	The monitor is equipped with a switch for selection of either coaxial cable or twisted pair for the video signal. Auxiliary functions F1 and F2 do not require additional connections.	The monitor is equipped with a switch for selection of either coaxial cable or twisted pair for the video signal. Auxiliary functions F1 and F2 do not require additional connections. Type 6324 has a double consumption compared with type 6304. Power supply type 6948 can supply only one monitor type 6324 at the same time.	Additional connections are not required for auxiliary functions F1 and F2.	



White
type 6304
type 6304/C
type 6324
type 6324/C

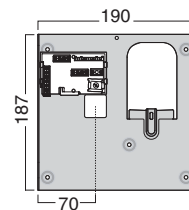
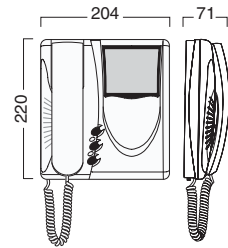


Titanium grey
type 6304/37
type 6304/C37
type 6324/37
type 6324/C37

Specifications shared by types 6307, 6327, 6307/C

Colours: white (standard colour, e.g. type 6307), titanium grey (../37, e.g. type 6307/37)
 Material: copolymer
 Installation: supplied with bracket for surface wall-mounting.
 Equipment: back-plate (type R631) and 4 screws for wall-mounting
 Dimensions (WxHxD): 204x220x70mm
 Video input signal: 1Vpp into 75 Ohm
 Operating temperature: from 0 to 40°C
 Desk-top version: use conversion kits type 661A, 661B

TYPE	6307	6327	6307/C
Model	Model without encoding/decoding		
Applications	DigiBus series video door entry systems with 949B digital distributor		
Screen	Low profile 4" B/W CRT		4" low-profile colour LCD
Video Standard	CCIR 625 lines, 50 images (to EIA standards on request)		PAL
Call System	Sound System (with negative polarisation)		
Number of wires for standard connection	4 common wires and 1 coaxial (or twisted pair)		
Push-buttons	1 for door lock release/porter switchboard call, 2 for auxiliary functions F1 and F2		
Ringtone	Loudspeaker for Sound System call		
Controls	Brightness, contrast, call volume		
Indicator lights	Red LED for call exclusion (no additional connections required) and green LED for open door/gate (requires additional connections)		
Compatible power supplies	type 6948, 949B, 6947		
Supply voltage	from 15 VDC to 20 VDC (monitor)		
Notes	The monitor has a switch for selecting coaxial cable or twisted-pair for the video signal. Auxiliary functions require additional connections with a digital distributor.	The monitor has a switch for selecting coaxial cable or twisted-pair for the video signal. Auxiliary functions require additional connections with a digital distributor.	Auxiliary functions require additional connections with a digital distributor.



Accessories



Type: 661A
Description: desk-top base for monitor (6304, 6324, 6304/C, 6324/C, 6307, 6327, 6307/C)
Colours: white (type 661A), titanium grey (type 661A/37)
Material: copolymer
Dimensions monitor + desk-top base (WxHxD): 204x240x160 mm
Notes: 2 metres of cable with 12 wires + 1 coaxial cable, socket with removable plug

Type: 661B
Description: desk-top base for monitor (6304, 6324, 6304/C, 6324/C, 6307, 6327, 6307/C) complete with power supply
Colours: white (type 661B), titanium grey (type 661B/37)
Material: copolymer
Supply voltage: 230V 50Hz (different voltages are also available: 110V A.C., 117V A.C. and 240V A.C.)
Dimensions monitor + desk-top base (WxHxD): 204x240x160 mm
Notes: 2 metres of cable with 12 wires + 1 coaxial cable, socket with removable plug. Used in the event of several monitors in parallel or on longer connection lines or in case of excessive voltage drops.

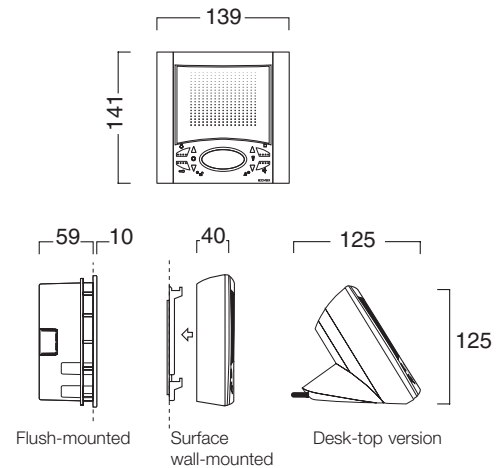
6600 series interphones

The 6600 series includes a line of two-channel open voice interphones for Digibus systems. Available in flush-mounted, surface-mounted and desktop versions. All interphones are supplied with handy front controls for ringtone volume, ringtone type and audio volume. Equipped with push-buttons for “door lock release”, “listen” and two auxiliary functions, and luminous indicators for ringtone mute and door open signals.

Specifications common to models 6604/AU, 6704/AU, 660D/AU

Colours:	white (standard colour, e.g. Type 6604/AU), titanium grey (../37, e.g. Type 6604/AU.37), brushed steel (../40, e.g. Type 6604/AU.40)
Material:	copolymer
Supply voltage:	from 15Vdc to 20Vdc
Operating temperature:	from 0 to 40°C

TYPE	6604/AU	6704/AU	660D/AU
Model	Flush-mounted model with 4 and 8 digit encoding/decoding	Surface-mounted model with 4 and 8 digit encoding/decoding	Desktop model with 4 and 8 digit encoding/decoding
Applications	Digibus audio and video door entry systems		
Call system	Sound System (with negative polarisation)		
Installation	Flush wall-mounted with back box type 6149 (not supplied)	Surface wall-mounted with bracket supplied	In desktop version
Number of wires for standard connection	4 common wires		
Push-buttons	8: 1 for door lock release, 1 for self-start/auto-activation, 1 for conversation, 1 for auxiliary service, 2 for audio volume and ring tone volume, and 2 for ringtone type		
Doorbell	Internal doorbell for panel call, door call. The panel call can be selected from a range of ring tones.		
Controls	call volume, internal audio volume		
Indicators	Red indicator for call excluded (does not require additional connections) and green indicator for door/gate open (requires additional connections)		
Compatible power supplies	Type 6948, 6947, 6491		
Equipment	4 screws for fixing on box	bracket and screws for wall mounting	complete with 2 metre cable with socket and removable plug
Dimensions	141x139x10 mm + 45 mm (flush-mounted)	141x139x40 mm	141x125x125 mm
Optional accessories	Type 6149 Type R660		



Standard colour: white
type 6604/AU
type 6704/AU
type 660D/AU



Colour: titanium grey
type 6604/AU.37
type 6704/AU.37
type 660D/AU.37



Colour: brushed steel
type 6604/AU.40
type 6704/AU.40
type 660D/AU.40



Type: 6149

Description: flush-mounted back box for 6600 series interphones and monitors

Material: copolymer

Dimensions (WxHxD): 136x136x59 mm



Type: R660

Description: fixing kit for 6600 series flush wall-mounting interphones for plasterboard walls

6600 series interphones

The 6600 series includes a line of two-channel open voice interphones for Digibus systems. Available in flush-mounted, surface-mounted and desktop versions. All interphones are supplied with handy front controls for ringtone volume, ringtone type and audio volume. Equipped with push-buttons for "door lock release", "listen" and two auxiliary functions, and illuminated indicators for ringtone mute and door open signals. The interphones are also supplied with 6 additional programmable push-buttons for auxiliary services.

Specifications common to models 6614/AU, 6714/AU, 661D/AU

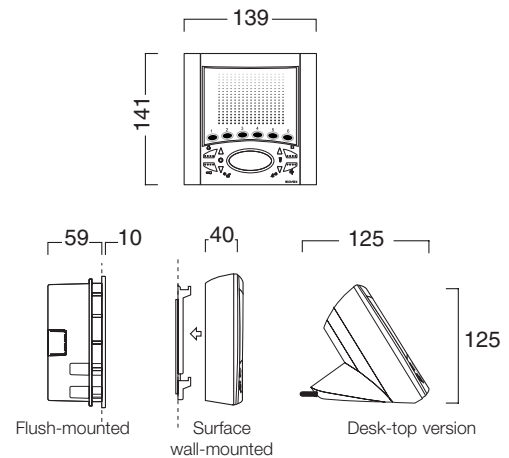
Colours: white (standard colour, e.g. Type 6614/AU), titanium grey (../37, e.g. Type 6614/AU.37), brushed steel (../40, e.g. Type 6614/AU.40)

Material: copolymer

Supply voltage: from 15Vdc to 20Vdc

Operating temperature: from 0 to 40°C

TYPE	6614/AU	6714/AU	661D/AU
Model	Flush-mounted model with 4 and 8 digit encoding/decoding and 6 additional push-buttons	Surface-mounted model with 4 and 8 digit encoding/decoding and 6 additional push-buttons	Desktop model with 4 and 8 digit encoding/decoding and 6 additional push-buttons
Applications	Digibus audio and video door entry systems		
Call system	Sound System (with negative polarisation)		
Installation	Flush wall-mounted with back box type 6149 (not supplied)	Surface wall-mounted with bracket supplied	In desktop version
Number of wires for standard connection	4 common wires		
Push-buttons	14: 1 for door lock release, 1 for conversation, 7 for auxiliary services, 2 for audio volume and ringtone volume, and 2 for ringtone type		
Doorbell	Internal doorbell for panel call, door call. The panel call can be selected from a range of ring tones		
Controls	call volume, internal audio volume		
Indicators	Red indicator for call excluded (does not require additional connections) and green indicator for door/gate open (requires additional connections)		
Compatible power supply units	Type 6948, 6947, 6941		
Equipment	4 screws for fixing on box	bracket and screws for wall mounting	complete with 2 metre cable with socket and removable plug
Dimensions (WxHxD)	141x139x10 mm + 45 mm (flush-mounted)	141x139x40 mm	141x125x125 mm
Optional accessories	Type 6149 Type R660		



Standard colour: white
type 6614/AU
type 6714/AU
type 661D/AU



Colour: titanium grey
type 6614/AU.37
type 6714/AU.37
type 661D/AU.37



Colour: brushed steel
type 6614/AU.40
type 6714/AU.40
type 661D/AU.40



Type: 6149

Description: flush-mounted back box for 6600 series interphones and monitors

Material: copolymer

Dimensions (WxHxD): 136x136x59 mm



Type: R660

Description: fixing kit for 6600 series flush wall-mounting interphones for plasterboard walls

6600 series monitors

Series 6600 includes a line of two-channel open voice monitors for Digibus systems. They are available in flush-mounted and desk-top models with 4" LCD color display, low profile, vertically inclinable for optimal viewing of the image. All monitors have practical front adjustments for brightness, call chime volume, call chime type and voice volume. The equipment supplied includes 4 push-buttons for "door release," "listen" and two auxiliary functions, and two lighted indicators for chime excluded and door open.

Specifications common to models 6604, 6704, 660D

Colours: white (standard colour, e.g. type 6604), titanium grey (../37, e.g. type 6604/37),
Brushed steel (../40, e.g. type 6604/40)

Material: copolymer

Video input signal: 1Vpp on 75Ohm

Power supply voltage: from 15Vcc to 20Vcc

Operating temperature: from 0 to 40°C

TYPE	6604	6704	660D
Model	Flush wall-mounted model with 4 and 8-digit encoding/decoding with microcontroller	Surface wall-mounted model with 4 and 8-digit encoding/decoding with microcontroller	Desk-top model with 4 and 8-digit encoding/decoding with microcontroller
Applications	Digibus video door entry systems		
Screen	Screen 4" low profile colour 4" LCD, with tiltable screen		
Standard video	PAL		
Call System	Sound System (with negative polarisation)		
Installation	Flush wall-mounting with back box type 6149 (not supplied)	Surface wall-mounting with back-plate supplied	Desk-top version
Number of wires for standard connection	4 common wires and 1 coaxial cable		
Push-buttons	1 for door release, 2 for auxiliary services, 1 for talk/listen		
Call Chimes	Internal chime for call from entrance door, outside door call. The entrance door call can be selected from a range of melodies		
Controls	Brightness, colour, call volume, internal call volume		
Indicators	Red indicator for call exclusion (no additional connections required) and green indicator for door/gate open (requires additional connections)		
Compatible power supplies	type 6948, 6947		
Equipment	4 screws for fixing on box	bracket and screws for wall mounting	complete with 2 metre cable with socket and removable plug
Dimensions (WxHxD)	141x139x10 mm + 45 mm (flush-mounted)	141x139x40 mm	141x125x125 mm
Optional accessories	type 6149 type R660		



Type: 6149

Description: flush-mounted back box for 6600 series interphones and monitors

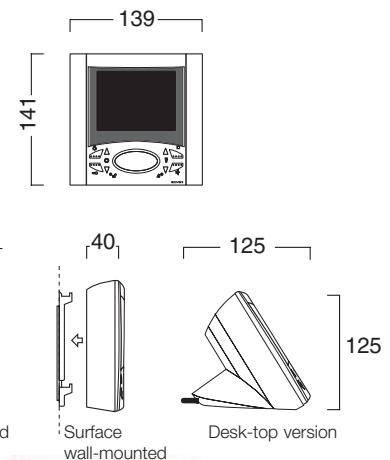
Material: copolymer

Dimensions (WxHxD): 136x136x59 mm



Type: R660

Description: fixing kit for 6600 series flush wall-mounting interphones for plasterboard walls



Standard colour: white
type 6604
type 6704
type 660D



Colour: titanium grey
type 6604/37
type 6704/37
type 660D/37



Colour: brushed steel
type 6604/40
type 6704/40
type 660D/40

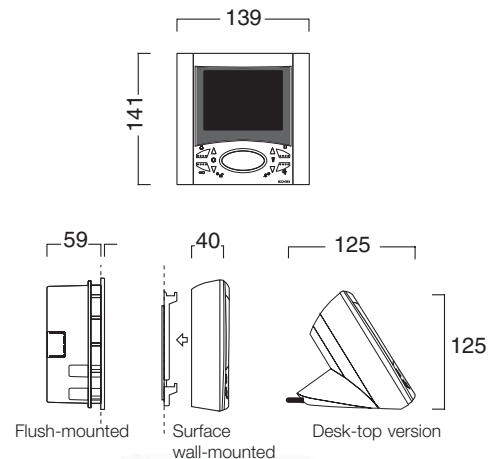
6600 series monitors

Series 6600 includes a line of two-channel open voice monitors for Digibus systems. They are available in flush-mounted and desk-top models with 4" LCD color display, low profile, vertically inclinable for optimal viewing of the image. All monitors have practical front adjustments for brightness, call chime volume, call chime type and voice volume. The equipment supplied includes 4 push-buttons for "door release," "listen" and two auxiliary functions, and two lighted indicators for chime excluded and door open.

Specifications common to models 6614, 6714, 661D

Colours:	white (standard colour, e.g. type 6614), titanium grey (../37, e.g. type 6614/37), Brushed steel (../40, e.g. type 6614/40)
Material:	copolymer
Video input signal:	1Vpp on 75Ohm
Power supply voltage:	from 15Vcc to 20Vcc
Operating temperature:	from 0 to 40°C

TYPE	6614	6714	661D
Model	Flush wall-mounted model with 4 and 8-digit encoding/decoding with microcontroller	Surface wall-mounted model with 4 and 8-digit encoding/decoding with microcontroller	Desk-top model with 4 and 8-digit encoding/decoding with microcontroller
Applications	Digibus video door entry systems		
Screen	3.5" low profile colour 3.5" LCD, with tiltable screen		
Standard video	PAL		
Call System	Sound System (with negative polarisation)		
Installation	Flush wall-mounting with back box type 6149 (not supplied)	Surface wall-mounting with back-plate supplied	In desktop version
Number of wires for standard connection	4 common wires and 1 coaxial cable		
Push-buttons	1 for door lock release, 7 for auxiliary functions, 1 for talk/listen		
Call Chimes	Internal chime for call from entrance door, outside door call. The entrance door call can be selected from a range of melodies		
Controls	Brightness, colour, call volume, internal call volume		
Indicators	Red indicator for call exclusion (no additional connections required) and green indicator for door/gate open (requires additional connections)		
Compatible power supplies	type 6948, 6947		
Equipment	4 screws for fixing on box	bracket and screws for wall mounting	complete with 2 metre cable with socket and removable plug
Dimensions (WxHxD)	141x139x10 mm + 45 mm (flush-mounted)	141x139x40 mm	141x125x125 mm
Optional accessories	type 6149 type R660		



Standard colour: white
type 6614
type 6714
type 661D



Colour: titanium grey
type 6614/37
type 6714/37
type 661D/37



Colour: brushed steel
type 6614/40
type 6714/40
type 661D/40



Type: 6149

Description: flush-mounted back box for 6600 series interphones and monitors
Material: copolymer

Dimensions (WxHxD): 136x136x59 mm



Type: R660

Description: fixing kit for 6600 series flush wall-mounting interphones for plasterboard walls

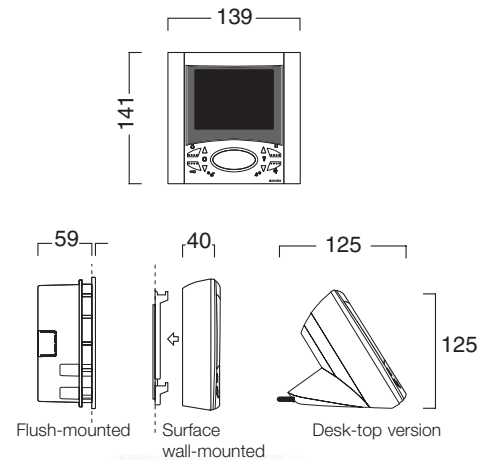
6600 series monitors

Series 6600 includes a line of two-channel open voice monitors for Digibus systems. They are available in flush-mounted and desk-top models with 4" LCD color display, low profile, vertically inclinable for optimal viewing of the image. All monitors have practical front adjustments for brightness, call chime volume, call chime type and voice volume. The equipment supplied includes 4 push-buttons for "door release," "listen" and two auxiliary functions, and two lighted indicators for chime excluded and door open.

Specifications common to models 6607, 6707, 660B

Colours:	white (standard colour, e.g. type 6607), titanium grey (../37, e.g. type 6607/37), Brushed steel (../40, e.g. type 6607/40)
Material:	copolymer
Video input signal:	1Vpp on 75Ohm
Power supply voltage:	from 15Vcc to 20Vcc
Operating temperature:	from 0 to 40°C

TYPE	6607	6707	660B
Model	Flush-mounted colour model without coding/decoding	Surface wall-mounted colour model without coding/decoding	Desk-top colour model without coding/decoding
Applications	Digibus series video door entry systems with digital distributor type 949B		
Screen	Screen 4" low profile colour 4" LCD, with tiltable screen		
Standard video	PAL		
Call System	Sound System (with negative polarisation)		
Installation	Flush wall-mounting with back box type 6149 (not supplied)	Surface wall-mounting with back-plate supplied	In desktop version
Number of wires for standard connection	4 common wires and 1 coaxial cable		
Push-buttons	1 for door release, 2 for auxiliary services, 1 for talk/listen		
Call chimes	Internal chime for call from entrance door, outside door call. The entrance door call can be selected from a range of melodies		
Controls	Brightness, colour, call volume, internal call volume		
Indicators	Red indicator for call exclusion (no additional connections required) and green indicator for door/gate open (requires additional connections)		
Compatible power supplies	type 6948, 6947		
Equipment	4 screws for fixing on box	bracket and screws for wall mounting	complete with 2 metre cable with socket and removable plug
Dimensions (WxHxD)	141x139x10 mm + 45 mm (flush-mounted)	141x139x40 mm	141x125x125 mm
Optional accessories	type 6149 type R660		



Standard colour: white
type 6607
type 6707
type 660B



Colour: titanium grey
type 6607/37
type 6707/37
type 660B/37



Colour: brushed steel
type 6607/40
type 6707/40
type 660B/40



Type: 6149

Description: flush-mounted back box for 6600 series interphones and monitors

Material: copolymer

Dimensions (WxHxD): 136x136x59 mm



Type: R660

Description: fixing kit for 6600 series flush wall-mounting interphones for plasterboard walls

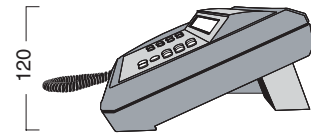
Colour: brushed steel
type 6607/40
type 6707/40
type 660B/40

Digital switchboards

Series 945B switchboards are suitable for Digibus electronic audio and video door entry systems with 4 and 8 digit encoding/decoding. The switchboards feature two operating modes: "Internal" and "External". In "Internal" mode calls and conversations are between the switchboard and interphones or monitors and between the switchboard and the entrance panel; in "External" mode calls and conversations are between the interphones/ monitors and the entrance panel. The switchboard is equipped with keypads and numeric display for the receipt and execution of calls, can store up to 20 calls from interphones/ monitors in the internal memory, and enables intercom calls between interphones/ monitors.

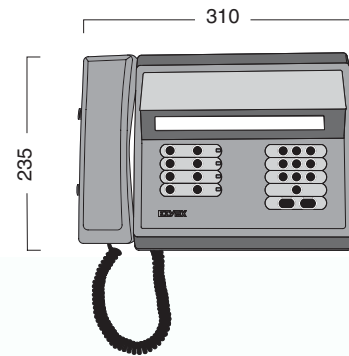
Type: 945B

Description: Digi Bus numeric switchboard
 Colour: black
 Material: copolymer
 Installation: desk-top
 Ringtone: electronical chime
 Compatible power supplies: 6941, 6942, 6948
 Notes: conversation privacy between all users



Type: 945B/I

Description: Digi Bus numeric switchboard with printer interface
 Colour: black
 Material: copolymer
 Installation: desk-top
 Ringtone: electronic chime
 Compatible power supplies: 6941, 6942, 6948
 Notes: conversation privacy between all users. Equipped with parallel port for printer connection



Software



Type: 94CD

Description: type 94CD is a program for PC running on a Windows platform (95,98, ME, 2000, XP) for the management of DigiBus systems with 4 and 8 digit encoding. It provides the following functions of call reception, call execution, intercom conversation, etc.

It also provides the facility to manage recording of all calls made and activation of all the functions.

Notes: provided with interface for connection of personal computer to the Digibus system and hardware key.

Type: 6952

Description: RS232 serial interface with software for programming Digibus devices and type 8017.

Type: 6952/A

Description: USB interface with software for programming Digibus devices and type 8017.



Programmer

Type: 950B

Description: Digi Bus programmer with alphanumeric display, powered by two internal 9V batteries or from the installation. Provides the facility for programming and encoding of all Digi Bus items and electronic monitoring of Digi Bus installations by means of the built-in tester.

8000 series for electronic panels

The elements which make up the 8000 series for Digibus electronic entrance panels, are: standard electronic modules, additional modules, module holder frames, rainproof covers, flush-mounted back boxes, surface-mounted back boxes. Assembly of the entrance panels requires: selection of modules necessary for the type of the entrance panel required, selection of one or more module holder frames for assembling the modules, selection of surface-mounted or flush-mounted back boxes depending on the type of installation. The rainproof cover is also required if a surface-mounted back box is used, but is only recommended for flush-mounted wall installation. Standard Digibus models are already supplied with speech unit or camera with speech unit built into the electronic unit.

The standard electronic modules are supplied in the dimensions of 2 modules joined vertically to form an electronic entrance panel, which can be complemented with module holder frames, back boxes and rainproof covers. All modules with name card holder and push-buttons are backlit by means of green LEDs. The panels can control a door lock, three auxiliary functions and operate exclusively with 8-digit encoding systems.

Specifications common to models 8844, 8847/C, 8845/C., 8843/..

- Colours: light grey (standard colour, e.g. Type 8844), sable grey (./35, e.g. Type 8844/35), brushed aluminium (./39, e.g. Type 8844/39)
- Material: paint-finished aluminium and copolymer
- Encoding system: 8-digit
- Power supply: 13.5Vdc
- Main programmable parameters: conversation time, lock release time, entrance panel identification code, door lock release from entrance panel with 20 different 8-digit codes.
- Functions: auxiliary functions F1 and F2 with timer control, self-start from an interphone or video entry unit



Modules for Digibus electronic entrance panels with keypad and alphanumeric display

Type 8844

Description: standard electronic modules for the composition of an audio entrance panel with: speech unit, alphanumeric display (with 2 lines x 16 characters each), keypad and 600-line memory. The panel is programmed via the panel keypad.



Modules for Digibus electronic entrance panels with keypad and alphanumeric display

Type 8847/C

Description: standard electronic modules for the composition of an audio entrance panel with: speech unit, alphanumeric display (with 2 lines x 16 characters), keypad and 600-line memory. Features colour video camera with 1/4" CCD sensor, 3 mm lens, LED for white lighting and manual pan and tilt facility. The panel is programmed via the panel keypad.



Modules for Digibus electronic entrance panels with conventional single push-buttons

Description: standard electronic modules for the composition of an audio entrance panel with: speech unit, conventional push-buttons and illuminated "ENGAGED-PLEASE WAIT" signal. Functions must be programmed using programmer type 950B or software type 94CD.

TYPE	N. push-buttons
8843/0	0
8843/1	1
8843/2	2
8843	1



Modules for Digibus electronic entrance panels with conventional single push-buttons

Description: standard electronic modules for the composition of a colour video entrance panel with: video camera, speech unit, conventional push-buttons and illuminated "ENGAGED-PLEASE WAIT" signal. Functions must be programmed using programmer type 950B or software type 94CD. The colour video camera has a 1/4" CCD sensor, 3 mm lens, LED lighting and manual pan and tilt facility.

TYPE	N. push-buttons
8845/C0	0
8845/C1	1
8845/C2	2
8845/C	3

Modules for Digibus electronic entrance panels with conventional single push-buttons



Type: 805N

Description: Module with illuminated card for 13 names complete with LED lighting system with system for removing the card from the rear.



Type: 8051

Description: Electronic module with 1 single push-button and LED lighting system for standard push-button modules.



Type: 8053

Description: Electronic module with 3 single push-buttons and LED lighting system for standard push-button modules.



Type: 80PN

Description: Module with illuminated card for street number complete with LED illumination and system for removing the card from the rear.



Type: 8052

Description: Electronic module with 2 single push-buttons and LED lighting system for standard push-button modules.



Type: 8054

Description: Electronic module with 4 single push-buttons and LED lighting system for standard push-button modules.



Type: 8000

Description: Blank module.



Type 804K

Control module for door lock release with Touch-Keys type 89TK (500 different codes), equipped with relay output for door lock release and 3 additional outputs to drive relays type 170/001. The door lock opening codes can be entered using a PC and the software supplied with the product. Type 6952 is required for interfacing via PC. Up to 4 independent 80TK modules can be connected to module 804K. Requires power supply type 6582



Type 80TK

Module with contact sensor for key type 89TK. To be used with types 804K or 8017



Type 89TK

Programmable Touch-Key for 804K, 8017 and 80TK

Module holder frames



Description: frame to hold modules, push-buttons, lamps, speech unit and camera

Colours: light grey (standard colour, e.g. type 8081), sable grey (./35, e.g. type 8081/35), Brushed aluminium (./39, e.g. type 8081/39).

Material: paint-finished aluminium and copolymer

Equipment: screws for fixing frame onto a wall or surface mounted back box. The frames for 2, 3 and 4 modules are complete with plastic fittings to facilitate module attachment.

TYPE	Description	Dimensions (WxHxD) mm
8092	Frame for 2 vertical modules.	101x271x21
8093	Frame for 3 vertical modules.	101x383x21
8094	Frame for 4 vertical modules.	101x495x21

Back boxes



Description: wall-mounted back boxes for combination with module holder frames

Material: galvanised sheet steel and copolymer for type 9094, only copolymer for type 9192 e 9193.

Equipment supplied: supports for horizontal assembly of multiple back boxes.

TYPE	Description	Dimensions (WxHxD) mm
9192	Back box for frame type 8082 (2 modules)	89x248x50
9193	Back box for frame type 8083 (3 modules)	89x360x50
9094	Back box for frame type 8084 (4 modules)	89x472x50

Frames with rainproof cover



Description: frames with rainproof cover for use with module holder frames, flush-mounted back box or surface wall-mounting back box
Colours: light grey (standard colour, e.g. type 9212), sablé grey (./35, e.g. type 9212/35), brushed aluminium (./39, e.g. type 9212/39).
Material: paint-finish aluminium and copolymer
Depth: 38 mm

Vertical modules / Vertical dimensions	Horizontal modules / Horizontal dimensions			
	1 module 118 mm	2 modules 218 mm	3 modules 318 mm	4 modules 418 mm
2 modules 290 mm	type 9212 (1x2)	type 9222 (2x2)	type 9232 (3x2)	type 9242 (4x2)
3 modules 402 mm	type 9213 (1x3)	type 9223 (2x3)	type 9233 (3x3)	type 9243 (4x3)
4 modules 514 mm	type 9214 (1x4)	type 9224 (2x4)	type 9234 (3x4)	type 9244 (4x4)

Angular surface wall-mounted back boxes



Description: angular surface wall-mounted back boxes
Colour: light grey (standard colour, e.g. type 9312/A), sable grey (./35, e.g. type 9312/A35)
Material: painted aluminium.
Notes: enable the panel to be fitted at a 45° angle from the wall, and must be used in combination with rainproof covers.

Vertical modules / Vertical Dimensions	Horizontal entrance panels/ Horizontal dimensions (sidexside)	
	1 panel 85 x 85 mm	2 panels 156 x 156 mm
2 modules 290 mm	type 9312/A	type 9322/A
3 modules 402 mm	type 9313/A	type 9323/A
4 modules 514 mm	type 9314/A	type 9324/A

Surface wall mounted back boxes



Description: the surface wall-mounted back boxes are for use with frames with rainproof cover matching the number of modules fitted
Colours: light grey (standard colour, e.g. type 9311), sablé grey (./35, e.g. type 9311/35), Brushed aluminium (./39, e.g. type 9311/39)
Material: paint-finish aluminium and copolymer
Depth of back box: 30 mm
Depth of back box with rainproof cover frame: 69 mm

Vertical modules / Vertical Dimensions	Horizontal modules / Horizontal dimensions			
	1 module 118 mm	2 modules 218 mm	3 modules 318 mm	4 modules 418 mm
2 modules 290 mm	type 9312 (1x2)	type 9322 (2x2)	type 9332 (3x2)	type 9342 (4x2)
3 modules 402 mm	type 9313 (1x3)	type 9323 (2x3)	type 9333 (3x3)	type 9343 (4x3)
4 modules 514 mm	type 9314 (1x4)	type 9324 (2x4)	type 9334 (3x4)	type 9344 (4x4)

3300 series electronic entrance panels

Electronic entrance panels with die-cast aluminium plates and special weatherproof paint finish. Standard colour: sable grey. Supplied with special protection screws and back box. The electronic entrance panels with name card holder and push-buttons are backlit by means of green LEDs.

Specifications common to models 3942, 3946/C, 3943, 3945/C, 3A1N, 3A38

- Colours: sable grey (standard colour)
- Material: die-cast aluminium with galvanised steel frame
- Lamps: LED lighting (green)



Entrance panels with keypad and alphanumeric display

Description: entrance panel with 8-digit numeric display and name-tag holder for 50 users
Encoding system: 4 or 8-digit
Power supply: 13.5Vdc
Equipment: 2 flush-mounted back boxes and brackets for side-by-side installation and fixture of multiple panels
Plate dimensions (WxHxD): 240x280x30mm
Back box dimensions (WxHxD): 231x265x45mm
Main programmable parameters: call time conversation time door lock release time entrance panel identification code door lock release from entrance panel with 20 different 8-digit codes
Functions: auxiliary functions F1 and F2 with timer control auto-activation from an interphone or video entry unit

TYPE	3942	3946/C
Speech unit	yes	
Camera	no	yes
Sensor	colour 1/4" CCD	
Lens	3 mm	
Video output	1 Vpp on coaxial cable 75Ohm	
Subject lighting	With infrared LEDs over a maximum distance of 50 cm	



Video entrance panels with conventional push-buttons

Description: entrance panel with 7 push-buttons and "Engaged-Please Wait" signal
Encoding system: 4 or 8-digit
Power supply: 13.5Vdc
Equipment: 2 flush-mounted back boxes and brackets for side-by-side installation and fixing of multiple panels
Plate dimensions (WxHxD): 240x280x30mm
Back box dimensions (WxHxD): 231x265x45mm
Main programmable parameters: call time conversation time door lock release time entrance panel identification code
Functions: auxiliary functions F1 and F2 with timer control auto-activation from an interphone or video entry unit

TYPE	3943	3945/C
Speech unit	yes	
Camera	no	yes
Sensor	colour 1/4" CCD	
Lens	3 mm	
Video output	1 Vpp on coaxial cable 75Ohm	
Subject lighting	With infrared LEDs over a maximum distance of 50 cm	



Additional panels for entrance panels with push-buttons

Type: 3A38

Description: additional panel with 8 call push-buttons

Colours: sable grey (standard colour)

Material: die-cast aluminium with galvanised steel frame.

Supply voltage: 13.5Vcc

Name tag holder illumination: with green LEDs

Equipment: flush wall-mounted back box and brackets for side-by-side installation and fixture of multiple panels

Plate dimensions (WxHxD): 120x280x30mm

Back box dimensions (WxHxD): 111x265x45mm



Rainproof covers

Type: 332P

Description: rainproof cover for two surface wall-mounted entrance panels

Colours: sablé grey (standard colour)

Material: aluminium

Dimensions (WxHxD): 250x290x100mm

**Type: 333P**

Description: rainproof cover for three surface wall-mounted entrance panels

Colours: sablé grey (standard colour)

Material: aluminium

Dimensions (WxHxD): 370x290x100mm



Additional module for entrance panels with keypad and numeric display

Type: 3A1N

Description: additional entrance panel with illuminated tags for 50 names

Colours: sable grey (standard colour)

Material: die-cast aluminium with galvanised steel frame.

Supply voltage: 13.5Vcc

Name tag holder illumination: with green LEDs

Equipment: flush wall-mounted back box and brackets for side-by-side installation and fixture of multiple panels

Plate dimensions (WxHxD): 120x280x30mm

Back box dimensions (WxHxD): 111x265x45mm



Patavium series electronic entrance panels

Patavium series electronic entrance panels comprise a plate in brass with gold effect and protective paint treatment by means of PVD titanium nitrate surface coating process, and a galvanised sheet steel back box. Patavium series electronic entrance panels consist of standard panels and additional panels, which when combined enable the entrance panels to be expanded and personalised as required. All modules with name card holder and push-buttons are backlit by means of green LEDs. The panels can control a door lock, three auxiliary functions and operate exclusively with 8-digit encoding systems.

Specifications common to models 8844/T, 8847/CT, 805N/T, 8843/T, 8845/CT and 8054/T

- Colours: gold (standard colour)
- Plate material: satin-finish brass with PVD protection treatment
- Lamps: LED lighting (green)
- Plate thickness: 4 mm
- Plate dimensions: 120x309 mm
- Flush-mounted back box dimensions: 105x266x55 mm
- Equipment: flush-mounted box in galvanised steel with spacers for panel combination



Electronic entrance panels with keypad and alphanumeric display

Type: 8844/T
Description: Standard electronic entrance panel for assembly of an audio entrance panel with: speech unit, alphanumeric display (with 2 lines x 16 characters), keypad and 600-line memory. The panel is programmed via the panel keypad.

Type: 8847/CT
Description: Standard electronic entrance panel for assembly of a colour video door entry system with: camera, speech unit, alphanumeric display (with 2 lines x 16 characters), keypad and 600-line memory. Equipped with colour video camera with 1/4" CCD sensor, 3 mm lens, LED for infrared lighting and manual pan and tilt facility. The panel is programmed via the panel keypad.



Electronic entrance panels with conventional push-buttons

Description: Colour video entrance panel with: camera, speech unit, conventional push-buttons and illuminated "ENGAGED-PLEASE WAIT" signal. Functions must be programmed using programmer type 950B or software type 94CD. Equipped with colour video camera with 1/4" CCD sensor, 3 mm lens, LED for infrared lighting and manual pan and tilt facility.

TYPE	N. push-buttons
8845/CT	3
8845/CT0	0
8845/CT1	1
8845/CT2	2

Description: Electronic audio entrance panel with: speech unit, conventional push-buttons and illuminated "ENGAGED-PLEASE WAIT" signal. Functions must be programmed using programmer type 950B or software type 94CD.

TYPE	N. push-buttons
8843/T	3
8843/OT	0
8843/1T	1
8843/2T	2



Additional panels

Type: 805N/T
Description: Panel with 3 illuminated cards for 11 names (33 total) complete with flush-mounted back box, LED lighting system and system for removing the card from the rear.



Type: 8054/T
Description: Additional electronic entrance panel with 8 conventional push-buttons.

Electronic units for 1200 series entrance panels

**Type: 1284**

Model: audio electronic unit only, with alphanumeric keypad

Compatible panel series: 1200 and communication column

Notes: electronic unit for the composition of an audio entrance panel with alphanumeric keypad.

Equipped with speech unit, alphanumeric display (with 2 lines x 16 characters), keypad and 600-line memory, to be used with plate types 122D, 123D and 12CD.

**Type: 1283/3**

Model: audio electronic unit only, with 3 call push-buttons.

Compatible panel series: 1200 and communication column

Notes: electronic unit for an audio entrance panel with conventional push-buttons.

Equipped with speech unit, illuminated "Engaged" signal on speaker grill and 6 push-buttons in 2 rows (3+3), for use with plate types 122x, 123x and 12Cx but not with types 1224, 1238 and 12C4, 12C8. Type 12TS allows the number of push-buttons of the electronic unit to be increased. An external CCTV video camera may be connected to the unit.

**Type: 12TS**

Model: additional module with 4 push-buttons

Compatible panel series: 1200

Notes: additional module for use in conjunction with electronic unit types 12F3, 12F3/3, 12F5, 12F5/3, 1283, 1283/3, 1285, 1285/3 for adding extra call push-buttons. Multiple 12TS modules can be connected in series.

**Type: 1287**

Model: video electronic unit only, with alphanumeric keypad

Compatible panel series: 1200 and communication column

Camera

Sensor: 1/4" CCD colour

Lens: 3 mm

Subject lighting: white LED

Notes: Electronic unit for a colour video entrance panel with alphanumeric keypad. Equipped with speech unit, colour video camera, alphanumeric display (with 2 lines x 16 characters), keypad and 600-line memory, to be used with plate types 122D, 123D and 12CD. The video camera has a manual pan and tilt facility.

**Type: 1285/3**

Model: video electronic unit only, with 3 call push-buttons.

Compatible panel series: 1200 and communication column

Camera

Sensor: 1/4" CCD colour

Lens: 3 mm

Subject lighting: white LED

Notes: electronic unit for a colour video entrance panel with conventional push-buttons. Equipped with speech unit, illuminated "Engaged" signal on speaker grill and 6 push-buttons in 2 rows (3+3), for use with plate types 122x, 123x and 12Cx but not with types 1224, 1238 and 12C4, 12C8. Type 12TS allows the number of push-buttons of the electronic unit to be increased. The video camera has a manual pan and tilt facility.

Digibus power supplies



Specifications common to types 6941, 6942, 6946, 6947, 6948

Material: Bayblend class V-0
 Dimensions (WxHxD): 208x135x72mm
 DIN Dimensions: 12 modules
 Installation: surface wall-mounting with screws or in electrical cabinets
 Equipment supplied: 2 screws and expansion plugs, covers for terminal blocks

TYPE	6941	6942	6946	6947	6948
Model	audio basic power supply	additional power supply			video basic power supply
Applications	Door entry system with and without porter's lodge switchboard Door entry system with and without porter's lodge switchboard for building complexes	Additional power supply for audio and video door entry systems Additional power supply for audio door entry system, video door entry system, and building complexes	Building complex type video door entry system with non-digital floor video entrance panel	Additional power supply for video door entry system	Video door entry system with and without porter's lodge switchboard Video door entry system with and without porter's lodge switchboard
Supply voltage outputs	Supply voltage for digital circuit and lock	Supply voltage for digital circuit and lock	Supply voltage for 559A type camera, monitor and lock	Monitor supply voltage	Supply voltage for digital circuit, monitor and lock
Call generator	Sound System (with negative polarisation)		Sound System (with negative polarisation)	Sound System (with negative polarisation)	Sound System (with negative polarisation)
Supply voltage	230V 50Hz *	230V 50Hz *	230V 50Hz *	230V 50Hz *	230V 50Hz *
Maximum absorbed power	60VA				
Dissipated power	15W				
Protection	with PTC circuitry against short circuits and temperature variations				
Notes	Provides the facility to regenerate the supply voltage for the monitor and call signal. Equipped with 2 outputs to control type 170/001 relays for auxiliary functions F1 and F2.			Equipped with 2 outputs to control type 170/001 relays for auxiliary functions F1 and F2.	

* (other voltages available: 110V A.C., 117V A.C. and 240V A.C.)

Power supplies

**Type: 6583**

Description: additional power supply for monitors, cameras and video distributors

Material: Bayblend class V-0

Dimensions (WxHxD): 208x135x72mm

DIN housing dimensions: 12 modules

Installation: surface wall-mounting with screws or in electrical cabinets

Equipment supplied: 2 screws and expansion plugs, protective covers for terminal blocks

Supply voltage: 230V 50Hz (alternative voltages available: 110V A.C., 117V A.C. and 240V A.C.)

Maximum absorbed power: 60VA

Dissipated power: 15W

Protection: with PTC circuitry against short circuits and temperature variations

Notes: to be used as an additional power supply for long lines and when subject to significant voltage drops or for simultaneous activation of multiple monitor.

Can supply power simultaneously to up to 4 series 6000 and 6300 monitors or up to 2 series 6500 monitors

Switching module

**Type: 6949**

Description: multifunction device for special applications on Digi Bus installations

Material: Bayblend class V-0

Dimensions (WxHxD): 140x115x50mm

DIN housing dimensions: 8 modules

Installation: surface wall-mounting with screws or in electrical cabinets

Equipment supplied: 2 screws and expansion plugs, protective covers for terminal blocks

Transformer

**Characteristics shared by types****M832, 832/030**

Material: Bayblend class V-0

Dimensions (WxHxD): 75x100x65mm

DIN housing dimensions: 4 modules

Installation: surface wall-mounting with screws or in electrical cabinets

Equipment supplied: 2 screws and expansion plugs, protective covers for terminal blocks

MODEL	M832	832/030
Supply voltage	230V 50Hz *	
Low voltage output	12V A.C.	15V A.C.
Maximum absorbed power	20VA	30VA
Dissipated power	8.5W	
Certifications	IMQ, VDE	
Protection	with PTC circuitry against short circuits and temperature variations	

* (other voltages available: 110V A.C., 117V A.C. and 240V A.C.)

Amplifier

**Type: 6582**

Description: additional power supply for monitors, cameras, and video distributors

Material: Bayblend class V-0

Dimensions (WxHxD): 75x100x65mm

DIN housing dimensions: 4 modules

Installation: surface wall-mounting with screws or in electrical cabinets

Equipment supplied: 2 screws and expansion plugs, protective covers for terminal blocks

Supply voltage: 230V 50Hz (alternative voltages available: 110V A.C., 117V A.C. and 240V A.C.)

Maximum absorbed power: 10VA

Protection: PTC circuitry against short circuits and temperature variations

Notes: to be used as an additional power supply for long lines and when subject to significant voltage drops or for simultaneous activation of multiple monitor.

Can supply power to 1 monitor.

**Type: 5559**

Description: video amplifier

Material: Bayblend class V-0

Supply voltage: 12 – 20V D.C.

Dimensions (WxHxD): 70x105x50mm

DIN housing dimensions: 4 modules

Installation: surface wall-mounting with screws or in electrical cabinets

Equipment supplied: 2 screws and expansion plugs, protective covers for terminal blocks

Notes: the amplifier is used to amplify the video signal on a coaxial cable up to 1000 m in length

Interface

**Type: 894M**

Description: device with electronic unit of Digibus entrance panel.

Material: Bayblend class V-0

Dimensions (WxHxD): 140x115x50mm

DIN Dimensions: 8 modules

Installation: surface wall-mounting with screws or in electrical cabinets

Equipment supplied: 2 screws and expansion plugs, protective covers for terminal blocks.

Notes: to be used in the installation as an electronic Digibus entrance panel with push-buttons. A speech unit 930A or a camera type 559A or 559B and 15 call push-buttons expandable with expansions cards type 693P can be connected to this unit.

Type: 693P

Description: expansion card for 8 push-buttons

Dimensions: 48x70x19 mm.

Distributors



Type: 949B
Description: digital floor distributor with 4 or 8-digit decoding.
Material: Bayblend class V-0
Dimensions (WxHxD): 140x115x50mm
DIN housing dimensions: 8 modules
Installation: surface wall-mounting with screws or in electrical cabinets
Equipment supplied: 2 screws and expansion plugs, protective covers for terminal blocks
Notes: supplied with 4 outputs to use with interphones type 6201, 8877 and monitors type 6307, 6507 and 2 auxiliary functions F1 and F2.



Type: 5555
Description: video distributor for 4 outputs with 75 Ohm coaxial cable
Material: Bayblend class V-0
Supply voltage: 11 – 18V D.C.
Dimensions (WxHxD): 48x70x19mm
Installation: in electrical cabinets
Equipment supplied: 75 Ohm burden resistor
Notes: the distributor is to be used for floor distribution



Type: 5556/004
Description: video distributor for 4 outputs with 75 Ohm coaxial cable
Material: Bayblend class V-0
Supply voltage: 12 – 13.5V D.C.
Dimensions (WxHxD): 70x105x50mm
DIN housing dimensions: 4 modules
Installation: surface wall-mounting with screws or in electrical cabinets
Equipment supplied: 2 screws and expansion plugs, protective covers for terminal blocks and 75 Ohm resistors
Notes: the distributor can be used for floor or cable riser distribution

Relays



Type: 170/001
Description: relay with single pole changeover contacts: normally open and normally closed
Material: Bayblend class V-0
Supply voltage: 12V A.C. or 12V D.C.
Dimensions (WxHxD): 70x105x50mm
DIN housing dimensions: 4 modules
Installation: surface wall-mounting with screws or in electrical cabinets
Equipment supplied: 2 screws and expansion plugs, protective covers for terminal blocks.
Notes: 3A 230V A.C. load to contacts

Type: 170/002
Description: as per type 170/001 but with two relays in a single container

Type: 170/101
Description: relay with single pole changeover contacts: normally open and normally closed
Material: Bayblend class V-0
Supply voltage: 12V A.C. or 12V D.C. or Sound System call with positive and negative polarisation
Dimensions (WxHxD): 70x105x50mm
DIN housing dimensions: 4 modules
Installation: surface wall-mounting with screws or in electrical cabinets
Equipment supplied: 2 screws and expansion plugs, protective covers for terminal blocks.
Notes: 3A 230V A.C. load to contacts

Type: 170/051
Description: relay with single pole changeover contacts to switch the video signal for coaxial cable.
Material: Bayblend class V-0
Supply voltage: 12V A.C. or 12V D.C.
Dimensions (WxHxD): 70x105x50mm
DIN housing dimensions: 4 modules
Installation: surface wall-mounting with screws or in electrical cabinets
Equipment supplied: 2 screws and expansion plugs, protective covers for terminal blocks

Type: 170F
Description: timed relay with 4 independent programmable outputs.
Material: ABS
Power supply: from 12V to 13.5 VDC
Activation: by digital code or auxiliary function in DigiBus, Digit 2 Video and intercommunication with type 6221 interphones.
Outputs: 2 relays with contacts normally open (maximum load 3A 230 VAC), and 2 open-collector outputs for driving 2 type 170/001 relays.
Dimensions (WxHxD): 70x115x50mm
DIN Dimensions: 4 modules
Installation: surface, wall-mounted with plugs or in electrical cabinets
Equipment supplied: 2 screws and expansion plugs, protection covers for terminal blocks.
Notes: maximum time for each output 9999 seconds.

Type: 170D
Description: unit with 4 or 8-digit encoding/decoding
Material: Bayblend class V-0
Activation: digital signal
Dimensions (WxHxD): 70x105x50mm
DIN housing dimensions: 4 modules
Installation: surface wall-mounting with screws or in electrical cabinets
Equipment supplied: 2 screws and expansion plugs, protective covers for terminal blocks
Notes: the device has three outputs to drive 3 relays type 170/001 with programmable activation times

Type: 170/945
Description: unit for switching on and off an auxiliary monitor for a porter switchboard
Material: Bayblend class V-0
Activation: video signal
Dimensions (WxHxD): 70x115x50mm
DIN housing dimensions: 4 modules
Installation: surface wall-mounting with screws or in electrical cabinets
Equipment supplied: 2 screws and expansion plugs, protective covers for terminal blocks

Call generator



Type: 2/831
Description: Sound System double call generator (1 modulated and 1 continuous tone) with positive polarisation
Material: Bayblend class V-0
Supply voltage: 15V 50Hz
Dimensions (WxHxD): 70x115x50mm
DIN housing dimensions: 4 modules
Installation: surface wall-mounting with screws or in electrical cabinets
Equipment supplied: 2 screws and expansion plugs, protective covers for terminal blocks

Protective devices


Type: 2/851

Description: device for protection against damage by transients or overvoltage surges on the connection lines

Material: Bayblend class V-0

Dimensions (WxHxD): 70x115x50mm

DIN housing dimensions: 4 modules

Installation: surface wall-mounting with screws or in electrical cabinets

Equipment supplied: 2 screws and expansion plugs, protective covers for terminal blocks


Type: 685A

Description: device for protection against damage by transients or overvoltage surges on the power connection lines

Material: Bayblend class V-0

Dimensions (WxHxD): 48x70x19mm

Installation: in electrical cabinets

Notes: to be used on lines powering monitors (18V D.C.) and digital circuits (13.5V D.C.). The device provides the facility to bring existing installations into compliance with standards 50081-1 and 61000-6-1

Type: 685B

Description: device for protection against damage caused by transients or overvoltage surges on the power connection lines

Material: Bayblend class V-0

Dimensions (WxHxD): 48x70x19mm

Installation: in electrical cabinets

Notes: to be used on lines powering digital circuits (13.5V D.C.). The device serves to bring existing installations into compliance with standards 50081-1 and 61000-6-1

Type: 685C

Description: device for protection against damage caused by transients or overvoltage surges on the power connection lines

Material: Bayblend class V-0

Dimensions (WxHxD): 48x70x19mm

Installation: in electrical cabinets

Notes: to be used on lines powering monitors (18V D.C.). The device serves to bring existing installations into compliance with standards 50081-1 and 61000-6-1

Type: 6951

Description: device for protection against damage caused by transients or fast overvoltage surges on the connection lines

Material: Bayblend class V-0

Dimensions (WxHxD): 48x70x19mm

Installation: in electrical cabinets

Notes: to be used on lines for powering digital circuits (13.5V D.C.), voice lines and control lines. The device serves to bring existing installations into compliance with standards 50081-1 and 61000-6-1

Loudspeaker


Type: 2/841

Description: loudspeaker for Sound System call repetition

Colour: white

Material: ABS

Dimensions (WxHxD): 120x75x30mm

Installation: surface wall-mounting with screws

Equipment supplied: 2 screws and expansion plugs

Cables


Type: 61/001

Description: 100 m roll of cable for internal installation

Cable marking: N.P.I. 12-48V CEI 20-22 II CEI 20-35 CEI 20-37 I

Sheath: PVC N.P.I. with diameter of 10 mm

Number of wires: 1 coaxial cable (75 Ohm), 3 x 1mm², 9 x 0.5 mm²

Type: 61/001.500

Notes: as per type 61/001 but in 500 m rolls

Type: 61/002

Description: 100 m roll of cable for internal installation

Cable marking: N.P.I. 12-48V CEI 20-22 II CEI 20-35 CEI 20-37 I

Sheath: PVC N.P.I. with diameter of 8 mm

Number of wires: 1 coaxial cable (75 Ohm), 2 x 0.5 mm², 8 x 0.25 mm²

Type: 61/002.500

Notes: as per type 61/002 but in 500 m rolls

Type: 61/003

Description: 100 m roll of cable for installation underground protected by conduit

Cable marking: 12-48V CEI 20-22 CEI 20-37

Sheath: PVC with diameter of 10.5 mm

Number of wires: 1 coaxial cable (75 Ohm), 3 x 1 mm², 9 x 0.5 mm²

Type: 2/060

Description: 200 m roll of cable for internal installation

Cable marking: N.P.I. 12-48V CEI 20-22 II CEI 20-35 CEI 20-37 I

Sheath: PVC N.P.I. with diameter of 3 mm

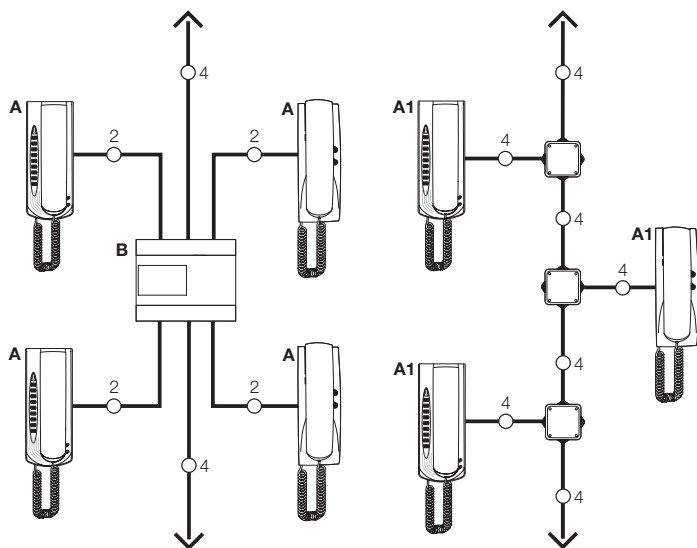
Number of wires: one 75 Ohm coaxial cable (type RG174)

Cable riser for interphones with digital floor distributor

- A:** Interphone type 6201, 8877
- B:** Digital distributor type 949B

Cable riser for interphones with internal encoding/decoding

- A1:** Interphone type 6204, 887B, 887B/1, 6604/AU, 6704/AU, 660D/AU, 6614/AU, 6714/AU, 661D/AU,

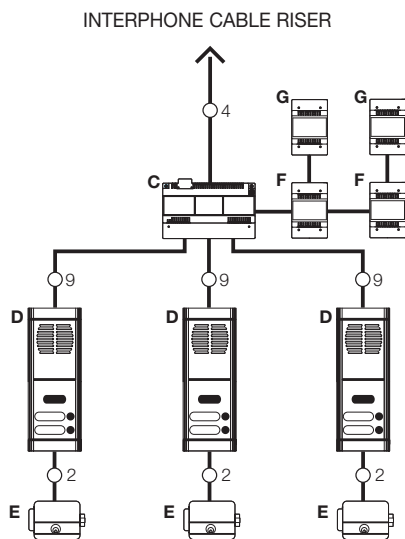


INTERPHONE CABLE RISER WITH DIGITAL DISTRIBUTOR

INTERPHONE CABLE RISER WITHOUT DIGITAL DISTRIBUTOR

Electronic audio door entry system with 1 or 3 audio entrance panels

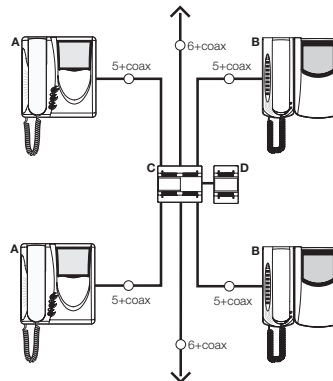
- C:** Power supply type 6941
- D:** Electronic audio Digibus serie 8000, 3300, Patavium, 1200 entrance panel series
- E:** 12V A.C. electric lock
- F:** Relay type 170/001
- G:** Transformer type M832, 832/030



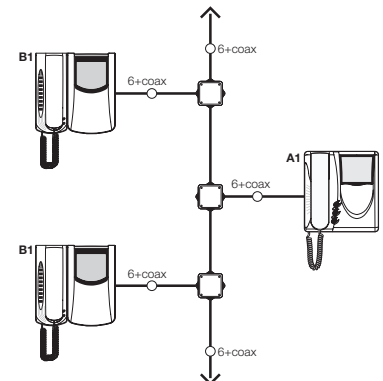
INTERPHONE CABLE RISER

Cable riser for monitors with digital floor distributor

- A:** monitor type 6307, 6607, 660B
- B:** Monitor and interphone type 6201+6000+6145, 6201+6003+6145
- C:** Digital distributor type 949B
- D:** Video distributor type 5556/004, 5555



MONITOR CABLE RISER WITH DIGITAL DISTRIBUTOR



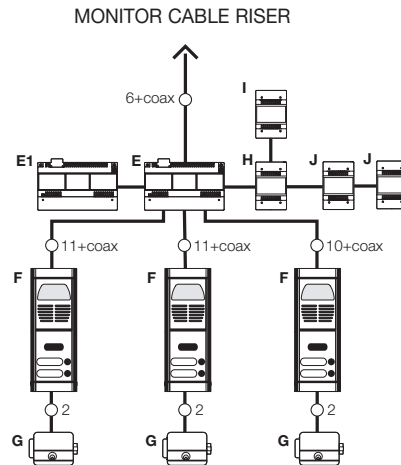
MONITOR CABLE RISER WITHOUT DIGITAL DISTRIBUTOR

Cable riser for monitors with internal encoding/decoding

- A1:** monitor type 6304, 6324, 6304/C, 6604, 6704, 6614, 6714, 660D, 661D
- B1:** Monitor and interphone type 6204+6000+6145, 6204+6003+6145

Electronic video door entry system with 1 or 3 video entrance panels

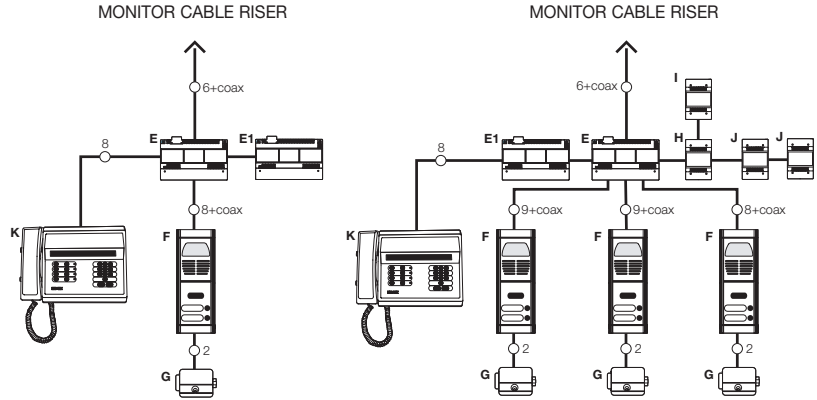
- E:** Power supply type 6948
- E1:** Power supply type 6942
- F:** 1200, 8000, 3300 and Patavium series Digibus electronic video entrance panel
- G:** 12V A.C. Electric lock
- H:** Relay type 170/001
- I:** Transformer type M832, 832/030
- J:** Relay type 170/051



MONITOR CABLE RISER

Electronic video door entry system with porter switchboard and 1 or 3 video entrance panels

- E:** Power supply type 6948
- E1:** Power supply type 6942
- F:** 1200, 8000, 3300 and Patavium series Digibus electronic video entrance panel
- G:** 12V A.C. Electric lock
- H:** Relay type 170/001
- I:** Transformer type M832, 832/030
- J:** Relay type 170/051
- K:** Switchboard type 945B, 945B/1



Electronic video door entry system for building complex

- E:** Power supply type 6948
- E1:** Power supply type 6942
- F:** 1200, 8000, 3300 and Patavium series Digibus electronic video entrance panel
- F1:** 1200, 8000, 3300 and Patavium series Digibus electronic audio or video entrance panel
- G:** 12V A.C. Electric lock
- H:** Relay type 170/001
- I:** Transformer type M832, 832/030
- J:** Relay type 170/051
- L:** Power supply type 6582
- M:** Video distributor type 5556/004

Electronic video door entry system for building complex with porter switchboard

- E:** Power supply type 6948
- E1:** Power supply type 6942
- F:** 1200, 8000, 3300 and Patavium series Digibus electronic video entrance panel
- F1:** 1200, 8000, 3300 and Patavium series Digibus electronic audio or video entrance panel
- G:** 12V A.C. Electric lock
- H:** Relay type 170/001
- I:** Transformer type M832, 832/030
- J:** Relay type 170/051
- K:** Switchboard type 945B, 945B/1
- L:** Power supply type 6582
- M:** Video distributor type 5556/004

